

MODPROD'2016 – 18th International Workshop on Cyber-Physical Model-Based Product Development

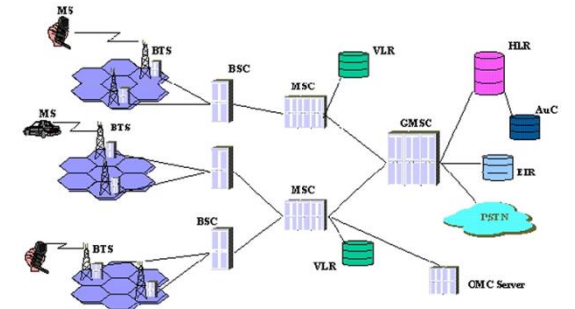
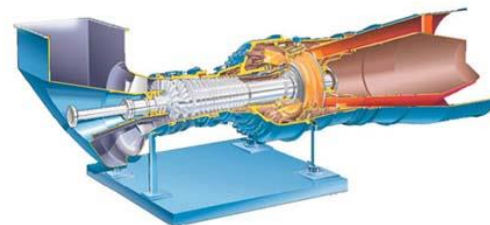
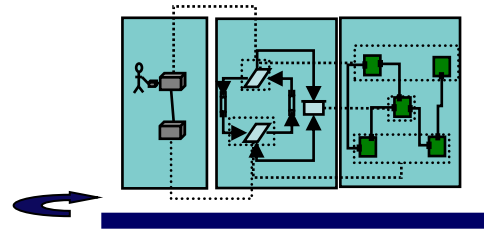
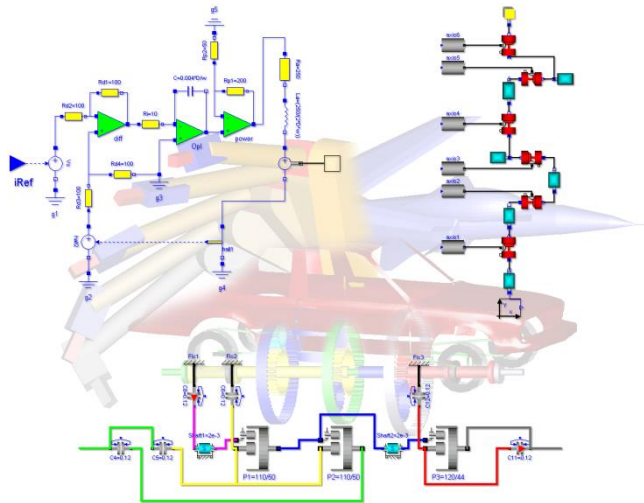
Theme: AI for Model-Based Systems Engineering

MODPROD Center for Model-Based Product Development

Linköping University

2024-02-06

Peter Fritzson, Vice Director



Connected Research Organizations

- **Linköping University (founder and keeper of Center)**
- **Open Source Modelica Consortium (OSMC) a nonprofit organization**
- **Santa Anna IT Research Institute**
- **AI Sweden**
- **Wallenberg Artificial Intelligence, Autonomous Systems and Software Program, WASP**

MODPROD Board of Directors 2024

- **Gert Johansson**, Saab Group
- **Erik Hertzog**, Saab group
- **Fredrik Svensson**, Ericsson
- **Henric Andersson**, Envinn AB

- **Dr. Niclas Fock**, *Center director*, LIU, Santa Anna, WASP
- **Prof. Peter Fritzson**, Center vice director, LIU, Santa Anna
- **Prof. Petter Krus**, LIU
- **Prof. Kristian Sandahl**, LIU
- **Prof. Daniel Varro**, LIU
- **Dr. Robert Braun**, LIU
- **Dr. Lena Buffoni**, LIU